

Minutes

Discrete Positioning and Delivery Workflow (DPDW)

Conference Call

September 22, 2020

11:00am – 11:30am EST

DPDW Subgroup Chair:

Thomas Schwere, Varian Medical Systems

thomas.schwere@varian.com

IHERO Task Force Co-Chairs

Bruce Curran, MEng, FAAPM, FACMP, FACR

Bridget Koontz, MD

Mission Statement: *The American Society for Radiology Oncology (ASTRO) has formed a multi-society Task Force to undertake an initiative to promote the Integration of the Healthcare Enterprise (IHE) – Radiation Oncology (RO), fostering seamless connectivity and integration of radiotherapy equipment and the patient health information systems. The Task Force will include members from ASTRO, RSNA, American Association of Physicists in Medicine (AAPM), the American College of Radiology (ACR) and the Medical Imaging and Technology Alliance (MITA). In addition, members of the International community have also been invited to participate in IHE-RO. The IHE-RO Task Force, in close collaboration with radiotherapy product manufacturers, will develop appropriate integration profiles for radiation therapy and setup a demonstration of seamless communication among the full array of radiotherapy products.*

In Attendance:

Jill Moton (AAPM)
Rickard Holmberg (RaySearch)
Gergely Parditka (Brainlab)
Bruce Rakes (Mevion)
Jon Treffert (RaySearch)
Harold Beunk (ICT)
David Wikler (IBA)
Istvan Matyas (Siemens Healthineers)
Sanjay Bari (Elekta)
Bob Pekarek (Accuray)

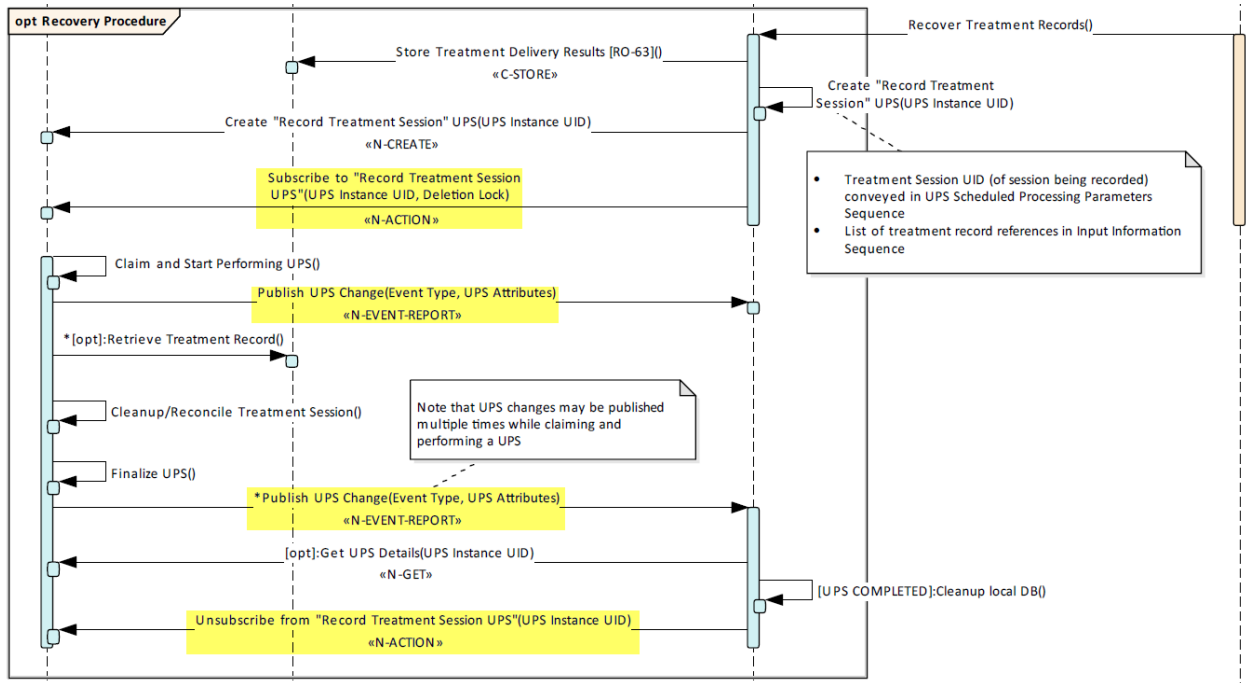
1 Call to Order

The meeting was started at 11:00am EST.

2 TDW Offline Recording

2.1. UPS Subscription by Design/Configuration

- Current sequence for subscribing on the “Record Treatment Session” UPS using explicit subscription:



- New proposal: TDD is implicitly subscribed on the TMS to get notifications about the progress of the “Record Treatment Session” UPS.
- No need to use N-ACTION RQ to subscribe/unsubscribe.
- Different options to specify the Receiving AE where to send the notifications to:
 - Explicit subscription: Receiving AE (0074,1234) provided by the SCU in the N-ACTION RQ when subscribing (can be different than the AE used for the association negotiation)
 - Calling AE of the N-CREATE RQ
 - Configuration at the TMS
 - Pass Receiving AE as a parameter in the UPS during the N-CREATE
- N-GET can be completely removed as all required data is provided in the N-EVENT-REPORT (including for example Procedure Step Discontinuation Reason Code Sequence (0074,100E) allowing the TDD to check why the UPS could not be performed successfully on the TMS).

Decisions

- To allow more flexibility for TDD design/implementations, the Receiving AE where to send the notifications to shall be passed as a parameter in the UPS (standard configuration is needed to map AE Title to an IP/Port, as required for any DICOM endpoint).

2.2. Use Cases in TDOR Profile

- Thomas mentioned that he started drafting the TDOR (Treatment Delivery Offline Recording) profile. Use cases to be reviewed and extended in the next call.

3 Adjournment

The meeting was adjourned at 11:35am EST.

Appendix A: Administration and Process Information

Documents are published at the following locations. If you have problems in accessing the document, please contact the Chair (thomas.schwere@varian.com).

Process of Authoring:

Steps:

1. Download a local copy of the document from locations below
2. Open this copy and remove all change bars
3. Ensure, that Changes Bars are switched on
- 4. Make your changes**
5. Provide the updated version to the Chair

Location of Documents:

DPDW Subgroup Minutes

http://wiki.ihe.net/index.php?title=RO_DPDW_WorkingGroup

DPDW Profile

The DPDW Profile is an IHE-RO document.

The current version is available in the IHE-RO Org Wiki:

<http://www.ihe-ro.org/>

Please find the current document under this page:

<http://www.ihe-ro.org/doku.php?id=doc:profiles>

Supp 160

DICOM Supplement 160 (Patient Positioning and Workflow) in s DICOM WG-07 document.

The current version is available at the DICOM ftp server:

<ftp://d9->

[workgrps:goimagego@medical.nema.org/MEDICAL/Private/Dicom/WORKGRPS/WG07/Sup/Sup160_PatientPositioningAndWorkflow](ftp://d9-workgrps:goimagego@medical.nema.org/MEDICAL/Private/Dicom/WORKGRPS/WG07/Sup/Sup160_PatientPositioningAndWorkflow)

Mailing List:

The mailing list for the DPDW subgroup is:

2020.iherodpdw@aapm.org